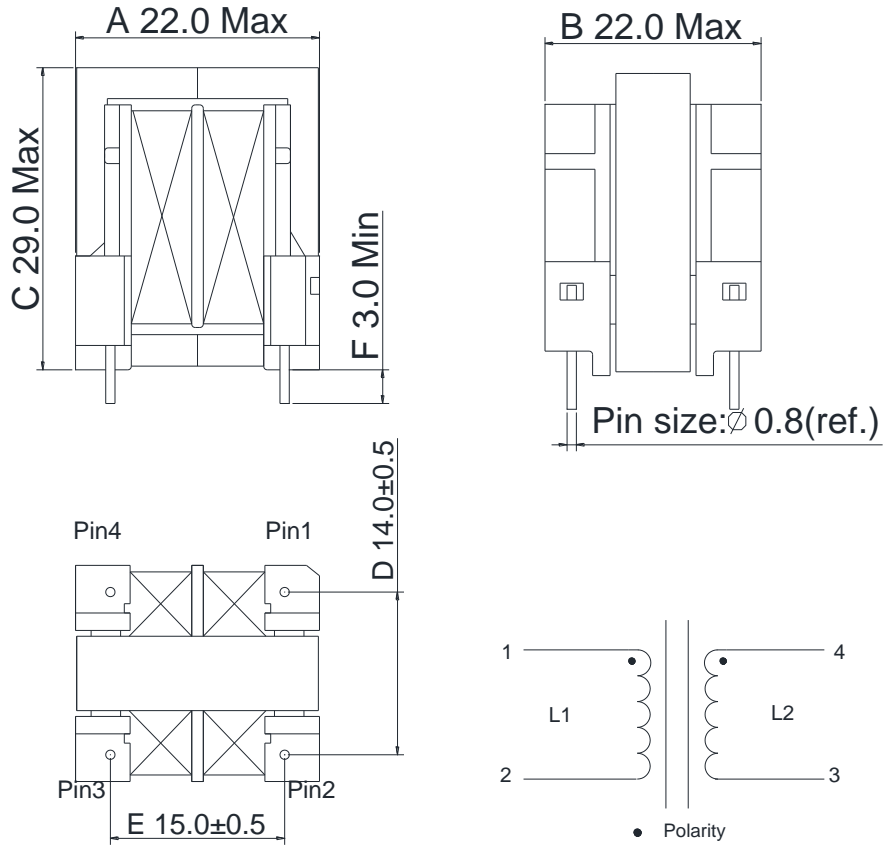


EE COMMON MODE CHOKES FOR EMI SUPPRESSION

OUTLINE DIMENSIONS



ELECTRONIC SPECIFICATIONS

ZETTLER P/N	Inductance (mH)min	Rated Current I _{rms} (A)	Resistance (mΩ)max	Inductance Differential Mode(μH) max	pin size (mm)	Approx.Weight (g)
XZM-EE25607	5.6mH	3.0	0.08	20	0.8	40
XZM-EE25606	16 mH	2.5	0.25	35	0.8	40
XZM-EE25604	33mH	2.0	0.37	100	0.8	40
XZM-EE25600	45mH	1.5	0.57	300	0.8	40