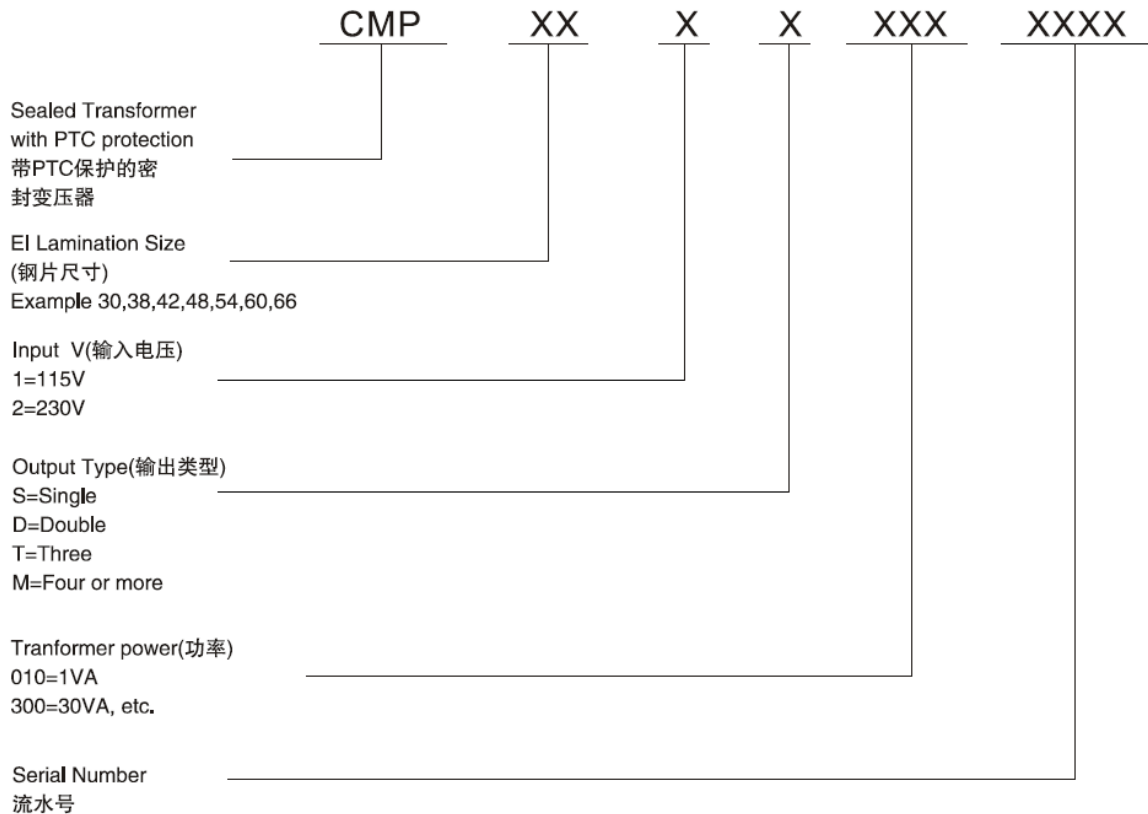


## SEALED TRANSFORMER WITH PTC CMP SERIES

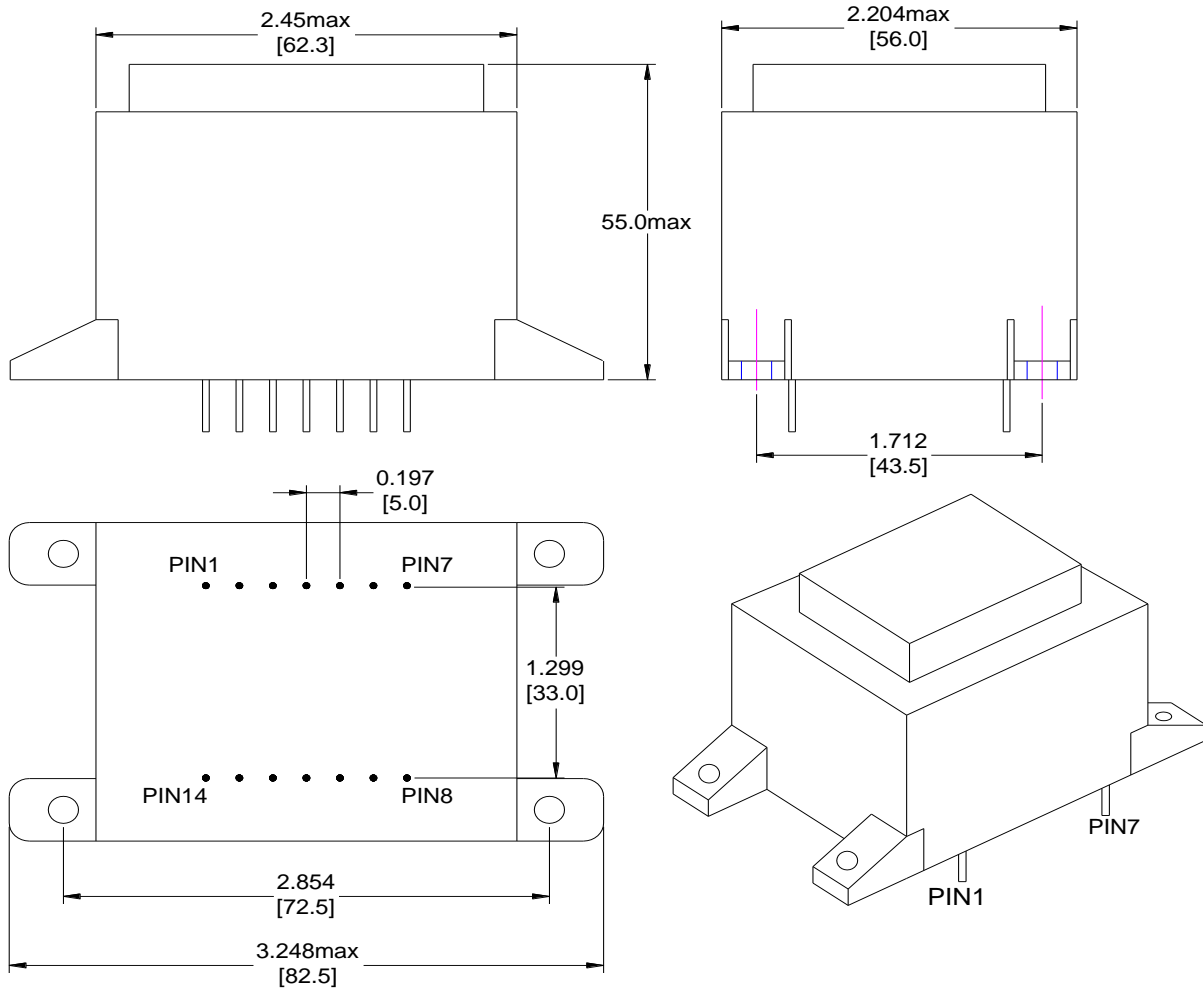
### FEATURES

- CQC Approved:  
CQC file No.CQC13001094903
- Vacuum Filling
- Split Bobbin Design
- Self-Extinguishing Plastics UL94V-0
- Dielectric Strength:  
INPUT:230V 4200Vrms  
INPUT:115V 2800Vrms
- Operation Frequency:50/60Hz
- Resin Class B IEC 85  
(20,000 h Testing to IEC 216)
- 100% Production Tested

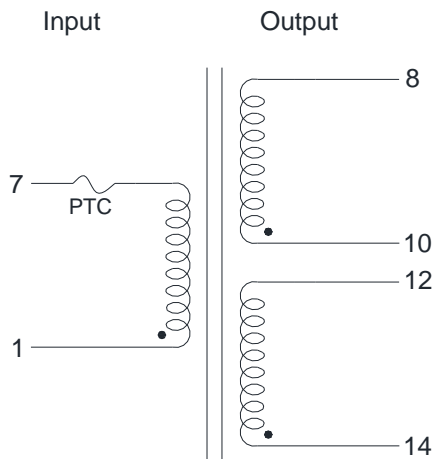
### ORDERING CODE



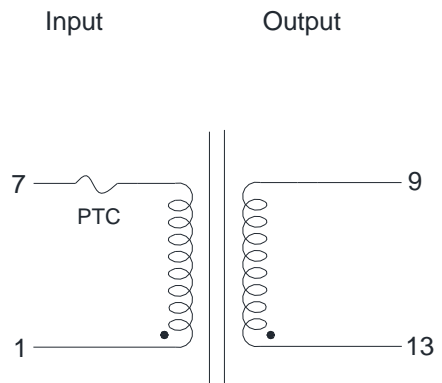
## OUTLINE DIMENSIONS



## SCHEMATIC DIAGRAM:



Dual outputs



Single output

### ELECTRONIC SPECIFICATIONS

Order Number	Input Voltage (V)	No-load Voltage (V)	SEC. Voltage (V)	Rated Current (mA)	Rated Power (VA)	Ambient TEMP. (°C)	Weight (g)	Certificate	
								CQC	CE
CMP602S3000601	220V	7.8	6	5000	30VA	T 50 B	785g	●	●
CMP602S3000901	220V	11.8	9	3333	30VA	T 50 B	785g	●	●
CMP602S3001001	220V	12.5	10	3000	30VA	T 50 B	785g	●	●
CMP602S3001201	220V	15.9	12	2500	30VA	T 50 B	785g	●	●
CMP602S3001501	220V	20.3	15	2000	30VA	T 50 B	785g	●	●
CMP602S3001801	220V	23.5	18	1666	30VA	T 50 B	785g	●	●
CMP602S3002401	220V	32.5	24	1250	30VA	T 50 B	785g	●	●
CMP602D3000601	220V	2x7.8	2X6	2x2500	30VA	T 50 B	785g	●	●
CMP602D3000901	220V	2x11.8	2X9	2X1666	30VA	T 50 B	785g	●	●
CMP602D3001001	220V	2x12.5	2X10	2X1500	30VA	T 50 B	785g	●	●
CMP602D3001201	220V	2x15.9	2X12	2X1250	30VA	T 50 B	785g	●	●
CMP602D3001501	220V	2x20.3	2X15	2X1000	30VA	T 50 B	785g	●	●
CMP602D3001801	220V	2x23.5	2X18	2X833	30VA	T 50 B	785g	●	●
CMP602D3002401	220V	2x32.5	2X24	2X625	30VA	T 50 B	785g	●	●