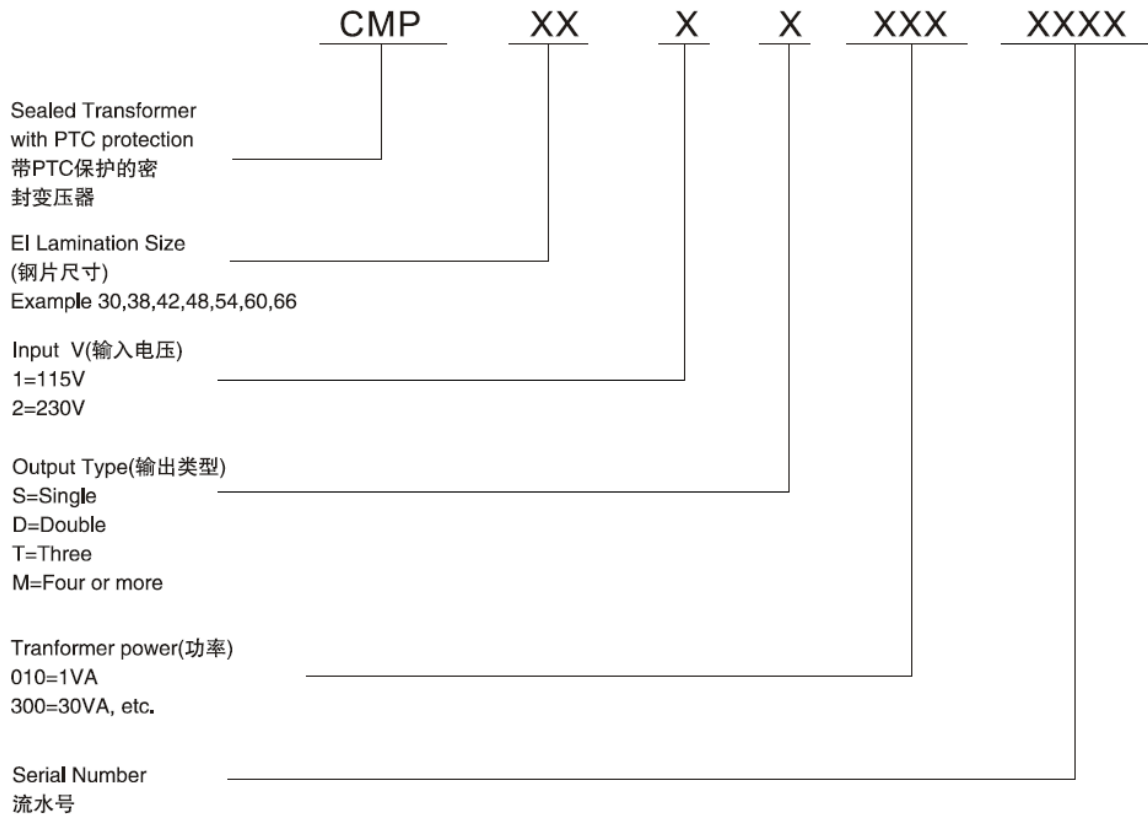


### SEALED TRANSFORMER WITH PTC CMP SERIES

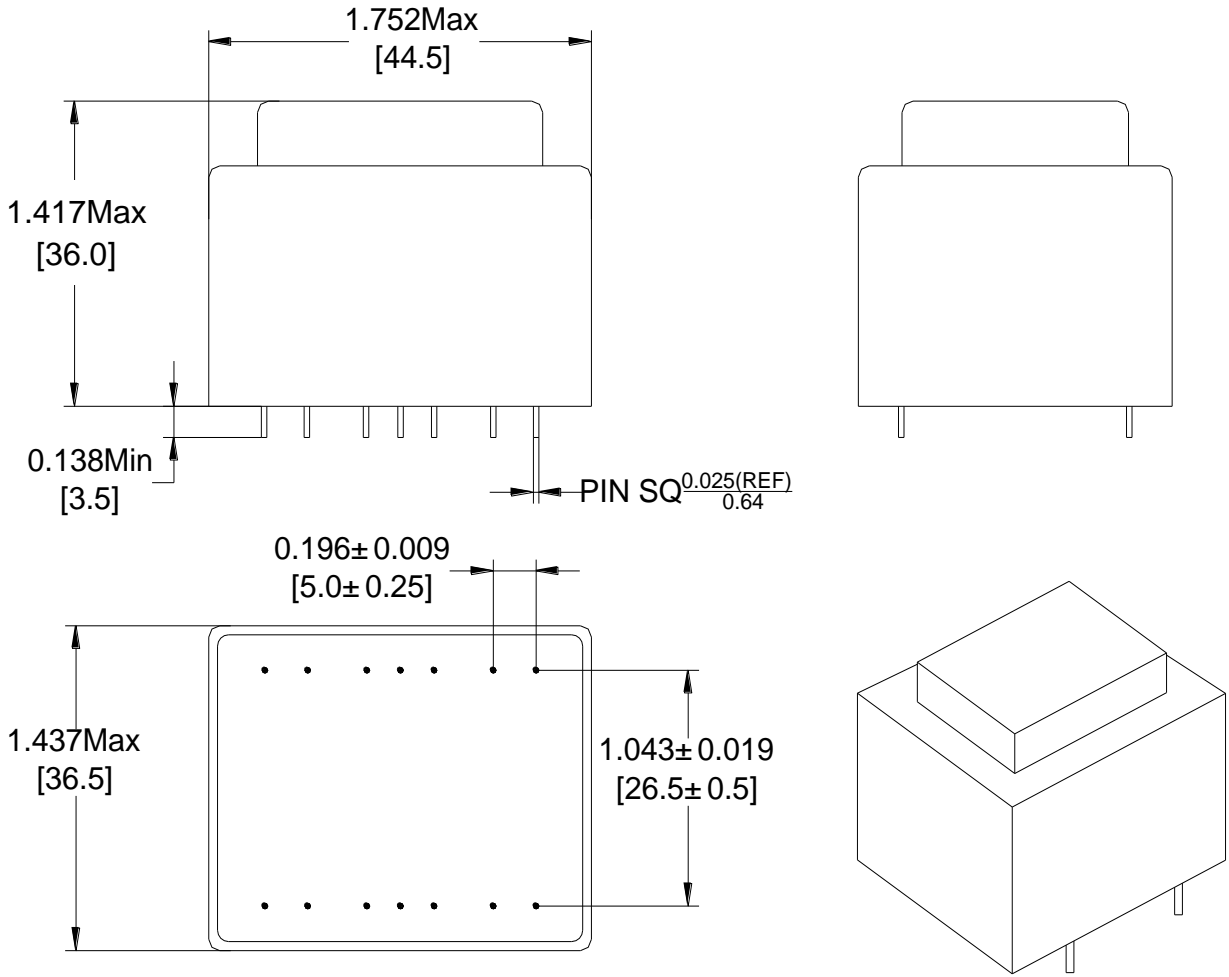
#### FEATURES

- CQC Approved:  
CQC file No.CQC13001094903
- Vacuum Filling
- Split Bobbin Design
- Self-Extinguishing Plastics UL94V-0
- Dielectric Strength:  
INPUT:230V 4200Vrms  
INPUT:115V 2800Vrms
- Operation Frequency:50/60Hz
- Resin Class B IEC 85  
(20,000 h Testing to IEC 216)
- 100% Production Tested

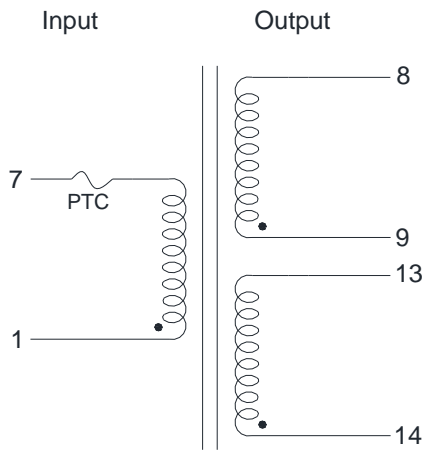
#### ORDERING CODE



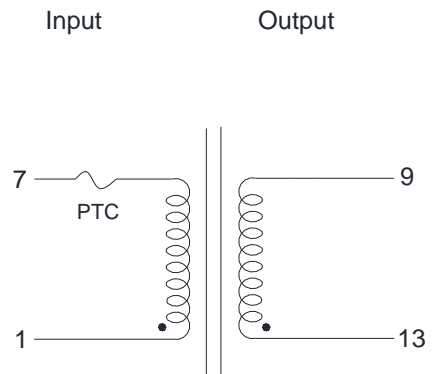
### OUTLINE DIMENSIONS



### SCHEMATIC DIAGRAM:



Dual outputs



Single output

### ELECTRONIC SPECIFICATIONS

Order Number	Input Voltage (V)	No-load Voltage (V)	SEC. Voltage (V)	Rated Current (mA)	Rated Power (VA)	Ambient TEMP. (°C)	Weight (g)	Certificate	
								CQC	CE
CMP412S0500601	220V	8.4	6	833	5.0VA	T 70 B	190g		
CMP412S0500901	220V	12.6	9	556	5.0VA	T 70 B	190g		
CMP412S0501001	220V	13.5	10	500	5.0VA	T 70 B	190g		
CMP412S0501201	220V	16.9	12	417	5.0VA	T 70 B	190g		
CMP412S0501501	220V	21	15	333	5.0VA	T 70 B	190g		
CMP412S0501801	220V	24.8	18	278	5.0VA	T 70 B	190g		
CMP412S0502401	220V	33.7	24	208	5.0VA	T 70 B	190g		
CMP412D0500601	220V	2x8.4	2X6	2x433	5.0VA	T 70 B	190g		
CMP412D0500901	220V	2x12.6	2X9	2x278	5.0VA	T 70 B	190g		
CMP412D0501001	220V	2X13.6	2X10	2X250	5.0VA	T 70 B	190g		
CMP412D0501201	220V	2x16.9	2X12	2x208	5.0VA	T 70 B	190g		
CMP412D0501501	220V	2x21	2X15	2x167	5.0VA	T 70 B	190g		
CMP412D0501801	220V	2x24.8	2X18	2x139	5.0VA	T 70 B	190g		
CMP412D0502401	220V	2x33.7	2X24	2x104	5.0VA	T 70 B	190g		