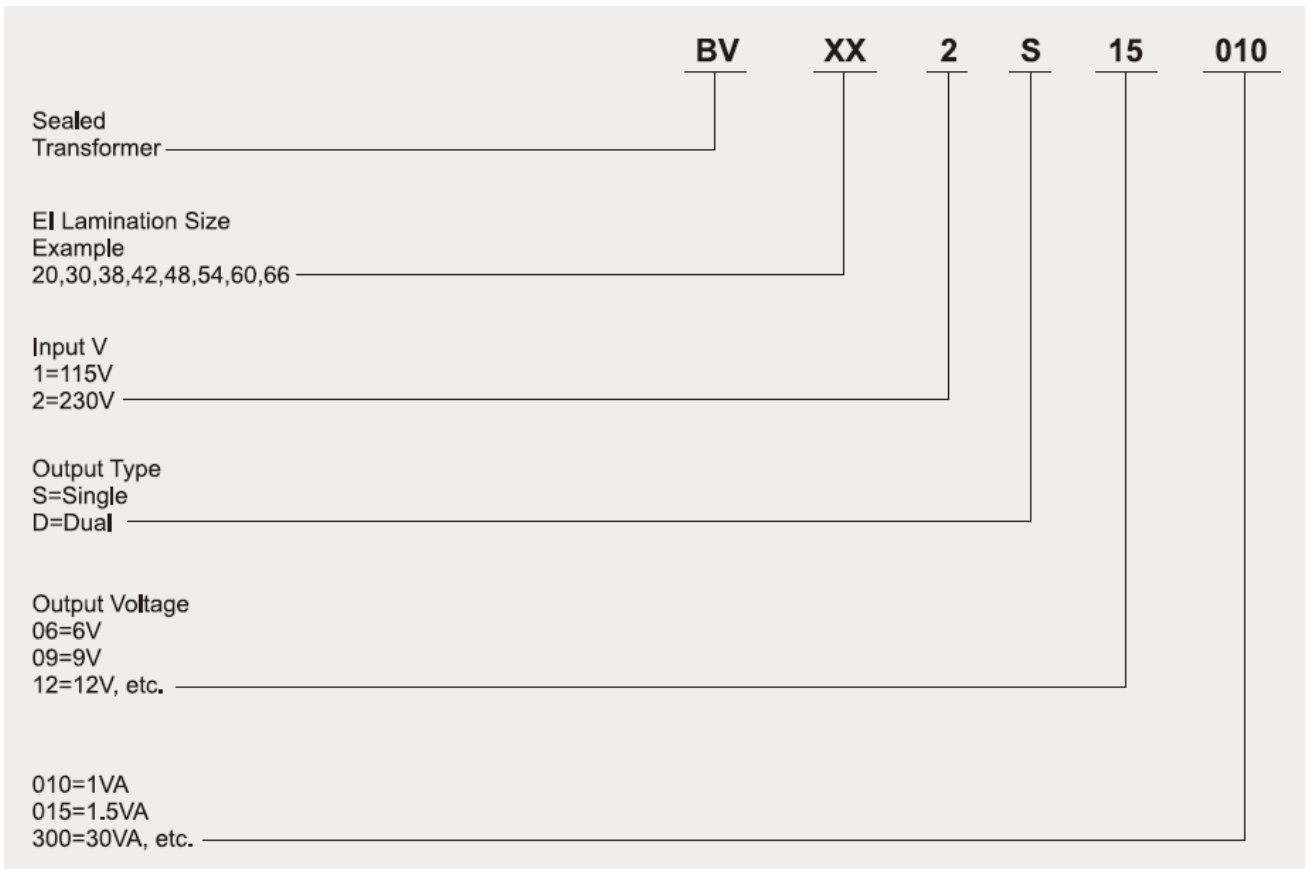


4.0VA SEALED TRANSFORMER EI38X15 SERIES



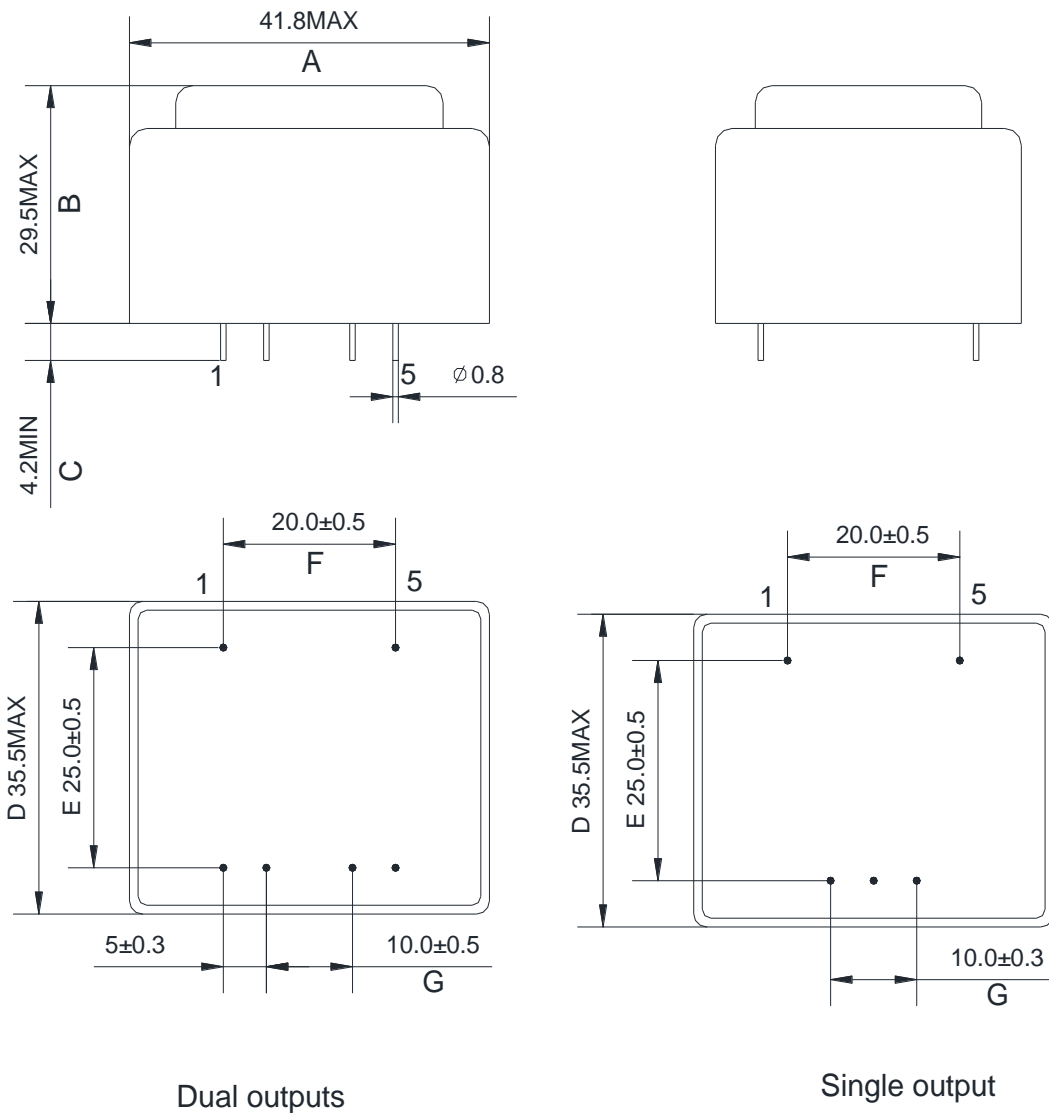
ORDERING CODE



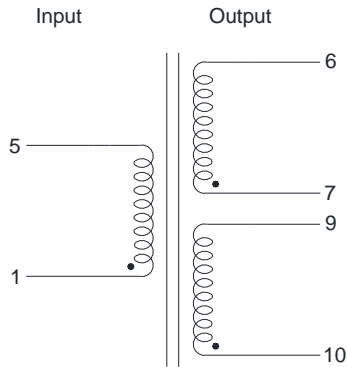
FEATURES

- CQC Approved:
CQC file No.CQC 1001054660
- Vacuum Filling
- Split Bobbin Design
- Self-Extinguishing Plastics UL94V-0
- Dielectric Strength:
INPUT:230V 4200Vrms
INPUT:115V 2800Vrms
- Operation Frequency:50/60Hz
- Resin Class B IEC 85
(20,000 h Testing to IEC 216)
- 100% Production Tested

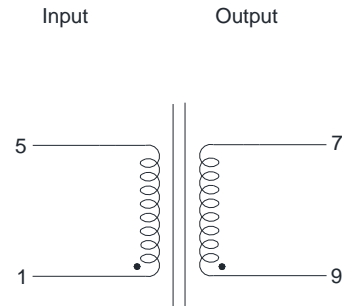
OUTLINE DIMENSIONS



SCHEMATIC DIAGRAM:



Dual outputs



Single output

ELECTRONIC SPECIFICATIONS

Order Number	Input Voltage (V)	SEC. Voltage (V)	Rated Current (mA)	Rated Power (VA)	No-load Voltage (V)	Ambient TEMP. (°C)	Weight (g)	Certificate			
								VDE	UL	CQC	CE
BV381S06040	115V	6	666.67	4.0	8.0	T70B	158			●	
BV381S09040	115V	9	444.44	4.0	12.0	T70B	158			●	
BV381S10040	115V	10	400	4.0	14.0	T70B	158			●	
BV381S12040	115V	12	333.33	4.0	16.0	T70B	158			●	
BV381S15040	115V	15	266.67	4.0	20.0	T70B	158			●	
BV381S18040	115V	18	222.22	4.0	24.1	T70B	158			●	
BV381S24040	115V	24	166.67	4.0	34.0	T70B	158			●	
BV381D06040	115V	2x6	2x333	4.0	2x8	T70B	158			●	
BV381D09040	115V	2x9	2x222	4.0	2x12	T70B	158			●	
BV381D10040	115V	2x10	2x200	4.0	2x14	T70B	158			●	
BV381D12040	115V	2x12	2x167	4.0	2x16	T70B	158			●	
BV381D15040	115V	2x15	2x133	4.0	2x20	T70B	158			●	
BV381D18040	115V	2x18	2x111	4.0	2x24.1	T70B	158			●	
BV381D24040	115V	2x24	2x83.5	4.0	2x34.0	T70B	158			●	
BV382S06040	230V	6	666.67	4.0	8.0	T70B	158			●	
BV382S09040	230V	9	444.44	4.0	12.0	T70B	158			●	
BV382S10040	230V	10	400	4.0	14.0	T70B	158			●	
BV382S12040	230V	12	333.33	4.0	16.0	T70B	158			●	
BV382S15040	230V	15	266.67	4.0	20.0	T70B	158			●	
BV382S18040	230V	18	222.22	4.0	24.1	T70B	158			●	
BV382S24040	230V	24	166.67	4.0	34.0	T70B	158			●	
BV382D06040	230V	2x6	2x333	4.0	2x8	T70B	158			●	
BV382D09040	230V	2x9	2x222	4.0	2x12	T70B	158			●	
BV382D10040	230V	2x10	2x200	4.0	2x14	T70B	158			●	
BV382D12040	230V	2x12	2x167	4.0	2x16	T70B	158			●	
BV382D15040	230V	2x15	2x133	4.0	2x20	T70B	158			●	
BV382D18040	230V	2x18	2x111	4.0	2x24.1	T70B	158			●	
BV382D24040	230V	2x24	2x83.5	4.0	2x34.0	T70B	158			●	