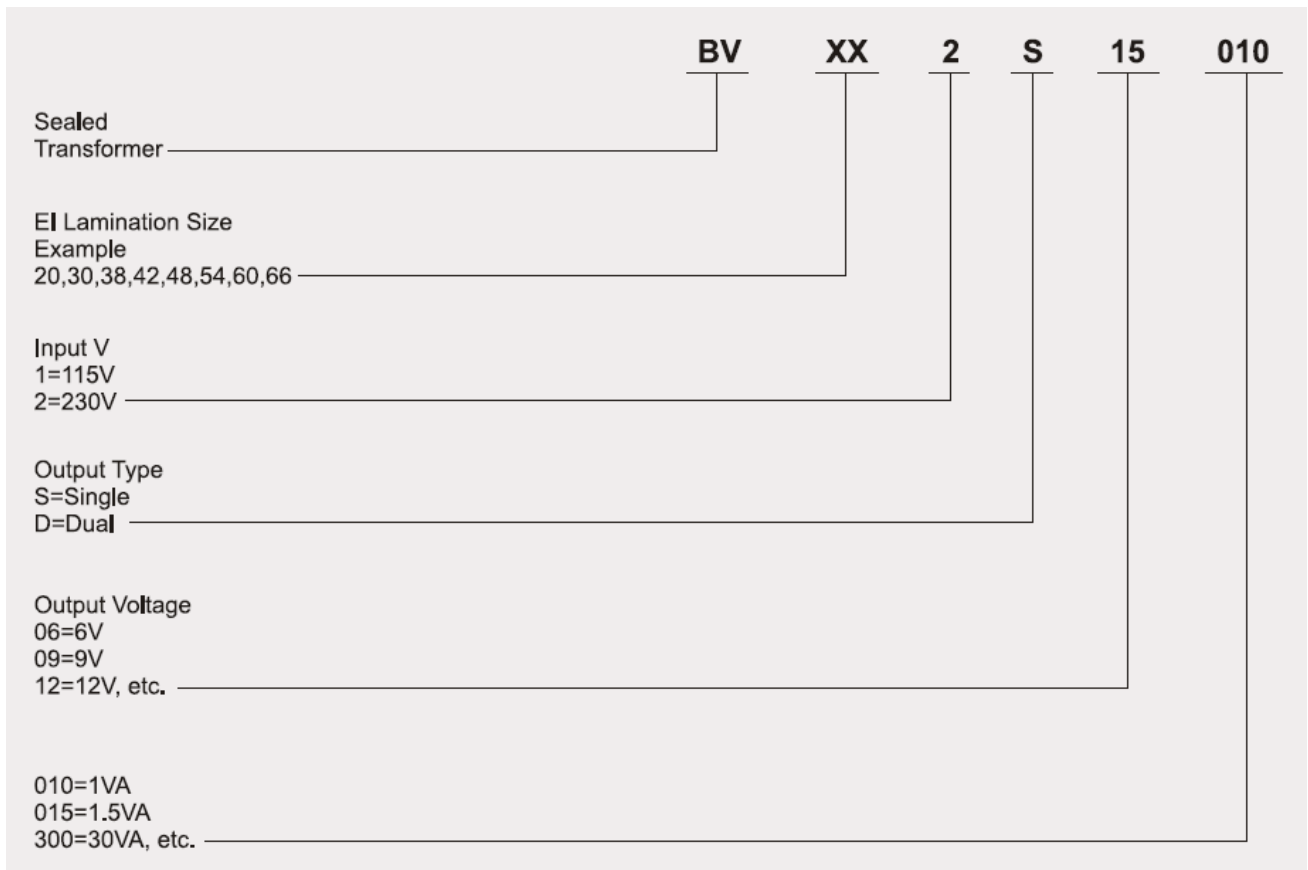


1.5VA SEALED TRANSFORMER EI30X12.5 SERIES



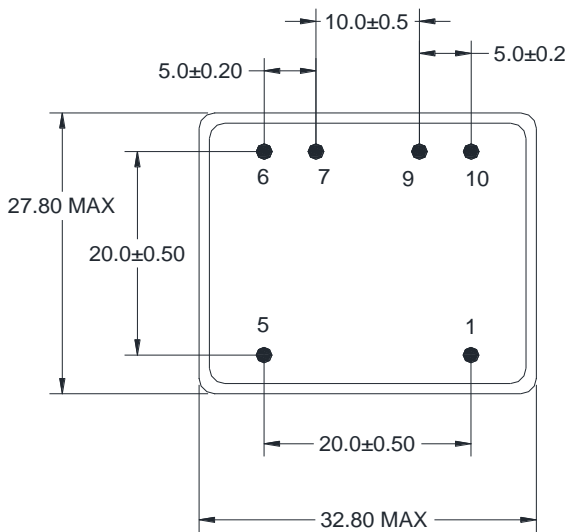
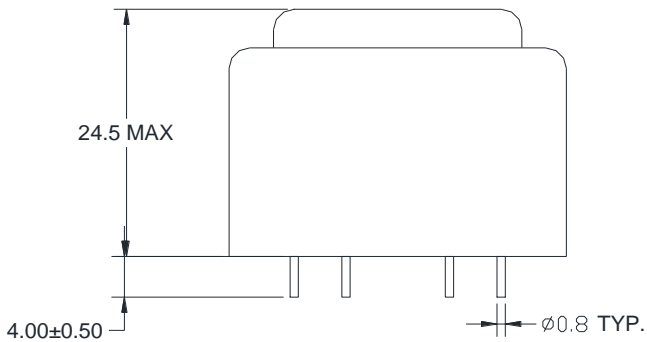
ORDERING CODE



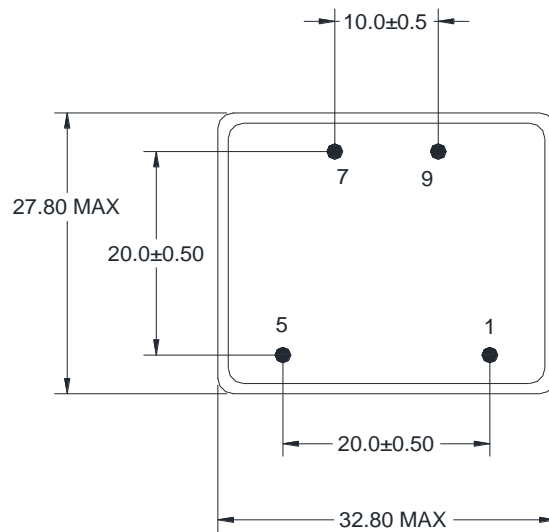
FEATURES

- VDE,UL5085-1,-2,-3,CE Approved:
UL file No.E214561 class 2/3 E177998
VDE file No.: 40022230
CQC file No.: CQC09001030821
- Vacuum Filling
- Split Bobbin Design
- Self-Extinguishing Plastics UL94V-0
- Dielectric Strength 4200Vrms
- Inherently Energy Limited
- Resin Class B IEC 85
(20,000 h Testing to IEC 216)
- Conforms to EN 61558 and EN 60950
- 100% Production Tested

OUTLINE DIMENSIONS

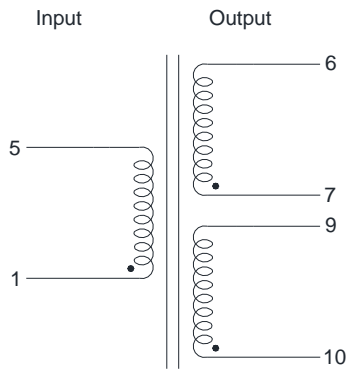


Dual outputs

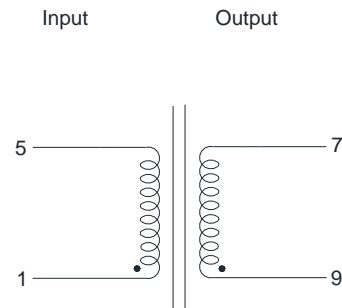


Single output

SCHEMATIC DIAGRAM:



Dual outputs



Single output

ELECTRONIC SPECIFICATIONS

Order Number	Input Voltage	SEC.Voltage (Vac)	Rated Power (VA)	No-load Voltage (V)	Ambient TEMP. (°C)	Weight (g)	Certificate			
							VDE	UL	CQC	CE
BV301S06015	115V 50/60Hz	6	1.5	9.7 Max	T 70 B	80	●	★		●
BV301S09015	115V 50/60Hz	9	1.5	14.5 Max	T 70 B	80	●	★		●
BV301S10015	115V 50/60Hz	10	1.5	15.5 Max	T 70 B	80	●	★		●
BV301S12015	115V 50/60Hz	12	1.5	19.3 Max	T 70 B	80	●	★		●
BV301S15015	115V 50/60Hz	15	1.5	24.2 Max	T 70 B	80	●	★		●
BV301S18015	115V 50/60Hz	18	1.5	29.8 Max	T 70 B	80	●	★		●
BV301S24015	115V 50/60Hz	24	1.5	38.6 Max	T 70 B	80	●	★		●
BV301D06015	115V 50/60Hz	2x6	1.5	2x9.7Max	T 70 B	80	●	★		●
BV301D09015	115V 50/60Hz	2x9	1.5	2x14.5 Max	T 70 B	80	●	★		●
BV301D10015	115V 50/60Hz	2X10	1.5	2x15.5 Max	T 70 B	80	●	★		●
BV301D12015	115V 50/60Hz	2x12	1.5	2x19.3 Max	T 70 B	80	●	★		●
BV301D15015	115V 50/60Hz	2x15	1.5	2x24.2 Max	T 70 B	80	●	★		●
BV301D18015	115V 50/60Hz	2x18	1.5	2x29.8 Max	T 70 B	80		▲		●
BV301D24015	115V 50/60Hz	2x24	1.5	2x38.6Max	T 70 B	80		▲	●	●
BV302S06015	230V 50/60Hz	6	1.5	9.7 Max	T 70 B	80	●	★	●	●
BV302S09015	230V 50/60Hz	9	1.5	14.5 Max	T 70 B	80	●	★	●	●
BV302S10015	230V 50/60Hz	10	1.5	15.5 Max	T 70 B	80	●	★	●	●
BV302S12015	230V 50/60Hz	12	1.5	19.3 Max	T 70 B	80	●	★	●	●
BV302S15015	230V 50/60Hz	15	1.5	24.2 Max	T 70 B	80	●	★	●	●
BV302S18015	230V 50/60Hz	18	1.5	29.8 Max	T 70 B	80	●	★	●	●
BV302S24015	230V 50/60Hz	24	1.5	38.6 Max	T 70 B	80	●	★	●	●
BV302D06015	230V 50/60Hz	2x6	1.5	2x9.7Max	T 70 B	80	●	★	●	●
BV302D09015	230V 50/60Hz	2x9	1.5	2x14.5 Max	T 70 B	80	●	★	●	●
BV302D10015	230V 50/60Hz	2X10	1.5	2x15.5 Max	T 70 B	80	●	★	●	●
BV302D12015	230V 50/60Hz	2x12	1.5	2x19.3 Max	T 70 B	80	●	★	●	●
BV302D15015	230V 50/60Hz	2x15	1.5	2x24.2 Max	T 70 B	80	●	★	●	●
BV302D18015	230V 50/60Hz	2x18	1.5	2x29.8 Max	T 70 B	80		▲		●
BV302D24015	230V 50/60Hz	2x24	1.5	2x38.6Max	T 70 B	80		▲		●