

F

E

D

C

B

A

F

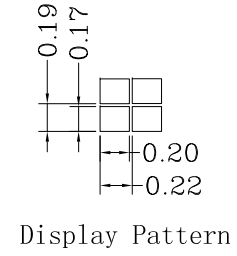
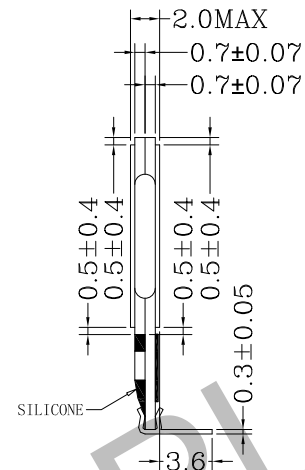
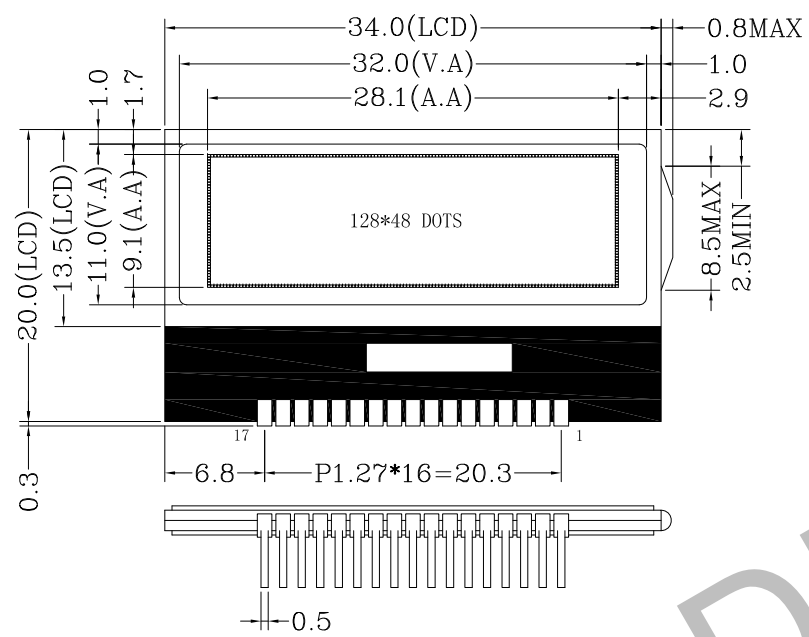
E

D

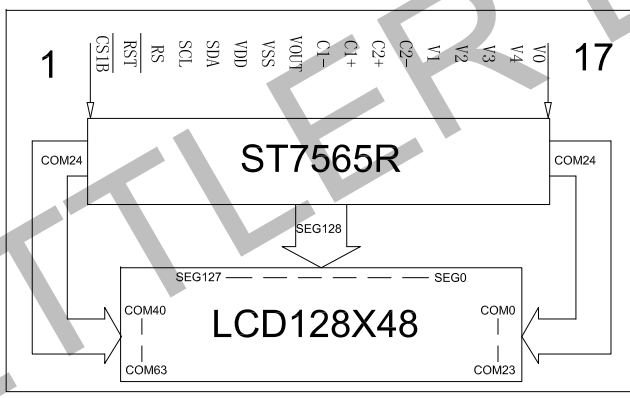
C

B

A



17	V0
16	V4
15	V3
14	V2
13	V1
12	C2-
11	C2+
10	C1+
9	C1-
8	VOUT
7	VSS
6	VDD
5	SDA
4	SCL
3	RS
2	RST
1	CS1B
PIN NO.	SYMBOL



ITEM	SELECTABLE CONTENTS
DISPLAY MODE	STN YELLOW MODE
	STN GRAY MODE
	STN BLUE MODE
	FSTN
POLARIZER TYPE	REFLECTIVE
	TRANSFLECTIVE
VIEWING DIRECTION	TRANSMISSIVE, POSITIVE
	TRANSMISSIVE, NEGATIVE
LED BACKLIGHT	6 O'CLOCK
	12 O'CLOCK
	WHITE
	Y-G
	RED
	GREEN
	BLUE
TEMPERATURE RANGE	AMBER
	TRI-COLOR
CHARACTER PATTERNS	STANDARD TEMPERATURE
	WIDE TEMPERATURE
OPERATING VOLTAGE	3.0V
LCD DRIVING VOLTAGE	7.5V
LCD DRIVE METHOD	1/49 DUTY 1/6 BIAS
LCD DRIVE IC	ST7565R COG

THE PART NUMBER IN MASS PRODUCTION

- 1.FSTN, REFLECTIVE LCD; WITHOUT BACKLIGHT; 6 O'CLOCK;
- 2.FSTN, TRANSFLECTIVE LCD; WHITE BACKLIGHT; 6 O'CLOCK;

UNIT	TOLERANCE
MM	X.X = ±0.2
3RD ANGLE	X.XX = ±0.20
	ANG = -
SCALE:	1:1
DRAWN:	
CHECKED:	
APPROVED:	

ZETTLER DISPLAYS

XIAMEN ZETTLER ELECTRONICS CO., LTD.

TITLE:	LCM
MODEL NO:	AQM1248A SERIES
REV	A
PART NO:	SH NO 1/1