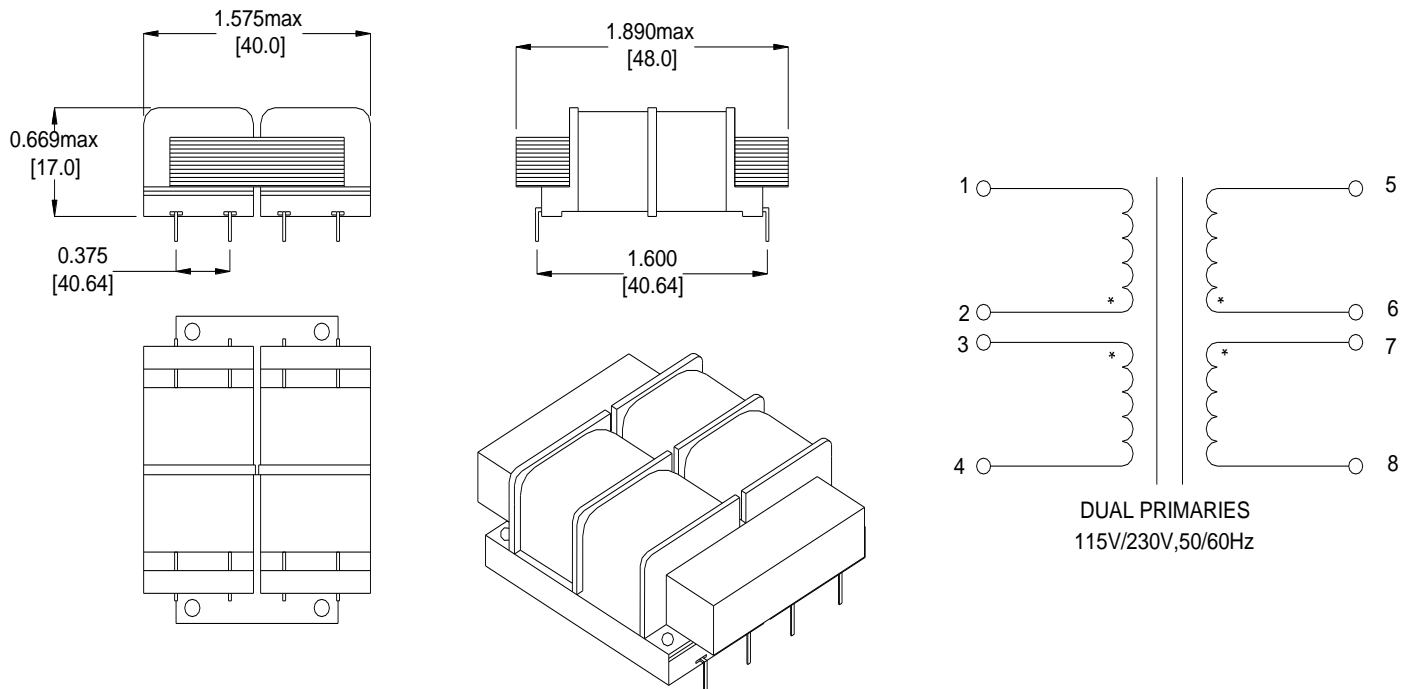


2.5VA UI28 TRANSFORMER AHF02 SERIERS

FEATURES,

- UL 5085-1,-3 Approved:UL File No.E177998
- Dielectric Strength 2500Vrms
- Dual 115V/230V Primaries
- Dual Secondaries
- Class B Insulation System
- 3 Standard Sizes for a Variety of Power Application

OUTLINE DIMENSIONS



ELECTRONIC SPECIFICATIONS

Part NO	Input Voltage (V)	Series		Parallel		Rated Power (VA)	Certificate	
		Voltage (Vac)	Current (mA)	Voltage (Vac)	Current (mA)		UL	CE
AHF02010	115V/230V	10	250	5	500	2.5VA	●	
AHF02012	115V/230V	12.6	200	6.3	400	2.5VA	●	
AHF02016	115V/230V	16	150	8	300	2.5VA	●	
AHF02020	115V/230V	20	125	10	250	2.5VA	●	
AHF02024	115V/230V	24	100	12	200	2.5VA	●	
AHF02030	115V/230V	30	85	15	170	2.5VA	●	
AHF02034	115V/230V	34	75	17	150	2.5VA	●	
AHF02040	115V/230V	40	60	20	120	2.5VA	●	
AHF02056	115V/230V	56	45	28	90	2.5VA	●	
AHF02088	115V/230V	88	28	44	56	2.5VA	●	
AHF02120	115V/230V	120	20	60	40	2.5VA	●	
AHF02230	115V/230V	230	10	115	20	2.5VA	●	